



Tension Pants Topper

Model 22PTSA

- Can be operated as Tensioning Topper or as Standard Topper
- Steam-heated buck with pleat pressing shoes
- PLC programmer with multiple timing programs
- Foot controls, leaving hands free to dress pants
- Variable tensioning
- Automatic pant leg measuring system
- Automatic programming for better and more consistent finish
- Multiple timing programs
- Manual drying air button
- Pre-steaming and other options with touch of a button



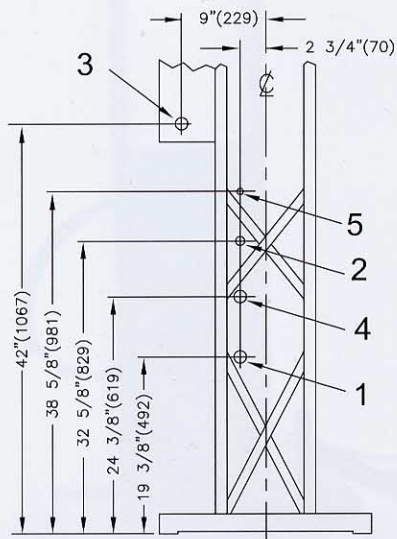
Tensioning equipment finishes the garment by blowing steam and hot air through the garment while holding the garment under strong tension. Model 22PTSA is simple to operate, easy on fabric and provides a beautiful finish with minimal touch up.

Specifications

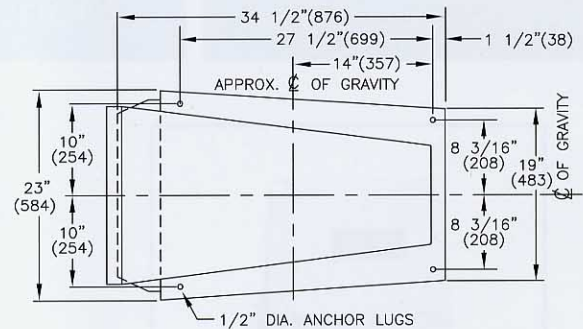
Models 22PTSA

Electrical connections		22PTSA
120V 50/60Hz 1PH 8Amps		standard
230V 50/60Hz 1PH 4Amps		optional
Steam and Air connection		
Steam Inlet	NPT	1/2"
Steam Outlet	NPT	1/2"
Rec. steam pressure	PSIG	75-85
	kPa	517-586
Steam consumption	BHP	1
	kg/hr	15.6
Compressed air Inlet	NPT	3/8"
Air consumption(per pant)	free air/cycle at 55psig	.21 cu.ft
	free air/cycle at 379kPa	5.9 liters
Rec. air pressure	PSIG	55
	kPa	379
Water Inlet	NPT	1/4"
Weight (crated)		
Shipping	lbs	400
	kg	181
1 Steam Outlet	4 Steam Connection	
2 Air connection	5 Water Inlet	
3 Electrical connection		

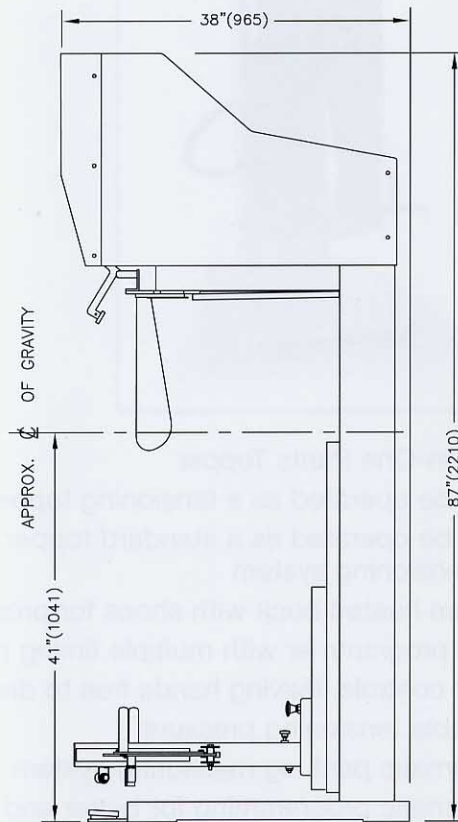
Detail Line Drawing (millimeters shown in parentheses)



Partial Rear View



Top View



Side View