



Dry Cleaning Presses Clear Buck "F" Series

472FA/482FA/47WFA Leggers

422FR/FL & 462FR/FL Utilities



Model 462FR Utility



Model 472FA Legger

- Presses available as Hot Heads
- Multiple buck sizes and configurations to choose from
- Patented controls allow head closing with either hand
- Electrical power cord provided for simplified installation
- Optional Integrated Vacuum - 120 or 230 volt single phase
- Adjustable foot switch plate to accommodate operator fatigue mat
- Easily accessible pressure selector switch allows a firm or soft press
- Options include Iron Tray, Sleeve Board, Water Spray, Timer on Utilities

Forenta's Clear Buck Press, with its unique 'disappearing' head, provides superb garment visibility, ease of dressing and the ability to be used as a steam/vacuum/ironing board. With its many updated features, this time-tested classic is one of the most versatile presses in the industry.

www.forentausa.com

Tel: 423-586-5370 • Email: info@forentausa.com

Made in USA

"F" SERIES SPECIFICATIONS

Electrical connection without optional built-in vacuum:

- 100-240 VAC single-phase, 50/60 Hz, 0.5 amp
- IEC 60320 C13 socket for press controls

Steam connections:

- 1/2 NPT for supply and condensate
- 75-85 psi (0.52-0.59 MPa)
- Steam consumption at 80 psi(0.55 MPa):
- 1 BHP (34.5 lb/hr)(15.6 kg/hr) (Utility presses)

Compressed air connection:

- 3/8 NPT
- Recommended Air Pressure: 80 psi (0.55 MPa).
- Free air/cycle at 80 psi (0.55 MPa): 0.5 cubic feet (13.5 liters)

Vacuum connection (Central):

- 1-1/4 NPT
- 20-30 inches of water (50-75 millibar)
- 75 cubic feet/minute (127 cubic meters/hour)

Press electrical connection with optional 120 volt vacuum:

- 110-120 VAC single-phase, 60 Hz, 8.4 amps, (UL motor)
- IEC 60320 C13 socket for press controls and blower

Press electrical connection with optional 220 volt vacuum:

- 220 VAC single-phase, 60 Hz, 4.3 amps, (UL motor)
- IEC 60320 C13 socket for press controls and blower

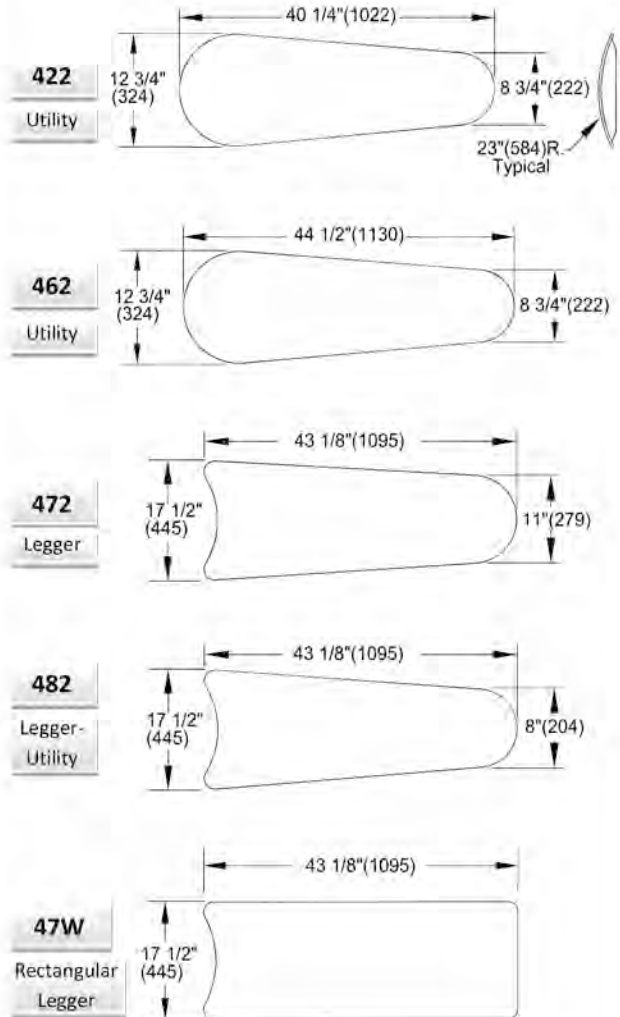
Optional hand iron electrical connection (external wiring, not part of press internal wiring):

- 115 VAC or 230 VAC single-phase, 50/60 Hz
- Conduit connection
- 800 watts
- Approximate hourly consumption: 0.5 KWH

Optional water spray cold water connection:

- 1/4 NPT
- 40-80 psi (0.3-0.55 MPa)
- 1 gallon/minute (3.8 liter/minute)

BUCK DIMENSIONS (unpadded)



Optional Attachment Kits

| | 422FR / 462FR (Small end right) | 422FL / 462FL (Small end left) | 472FA / 482FA (Small end right) | 47WFA (Rectangular) |
|--|------------------------------------|-----------------------------------|------------------------------------|------------------------|
| K-687-1 Steam/Electric Iron Attachment, 115 Volt | • | | • | • |
| K-687-2 Steam/Electric Iron Attachment, 230 Volt | • | | • | • |
| K-688-1 Steam/Electric Iron Attachment, 115 Volt | | • | | |
| K-688-2 Steam/Electric Iron Attachment, 230 Volt | | • | | |
| K-685 All-Steam Iron Attachment | • | | • | • |
| K-686 All-Steam Iron Attachment | | • | | |
| K-198 Sleeve Board | • | • | • | • |
| K-703 Water Spray | • | • | • | • |
| K-690 Timer Kit | • | • | | |
| K-691-1 Integrated Vacuum, 120 Volt, 1 Ph. | • | | • | • |
| K-691-2 Integrated Vacuum, 220 Volt, 1 Ph. | • | | • | • |
| K-692-1 Integrated Vacuum, 120 Volt, 1 Ph. | | • | | |
| K-692-2 Integrated Vacuum, 220 Volt, 1 Ph. | | • | | |

Models: 422FL & 462FL

Electrical Requirements

Voltage: 100-240VAC, 1PH, 50/60Hz, 0.35-0.19 Amps
 Electrical Requirements with optional Built-in Vacuum
 Voltage: 110-120VAC, 1PH, 60Hz, 8.4 Amps
 Voltage: 220VAC, 1PH, 60Hz, 4.3 Amps

Steam, Air, Vacuum & Water Requirements

Steam Inlet NPT 1/2"
 Steam Outlet NPT 1/2"
 Rec. steam pressure PSIG 75-85
 MPA 0.52-0.59

Steam consumption @ 80psig(552 kPa)

BHP 1
 kg/hr 15.6
 lb/hr 34.5
 NPT 3/8"

Compressed air 0.32 FT³

free air/cycle at 80psig

free air/cycle at 0.55MPa

PSIG 80

MPa 0.55

NPT 1 1/4"

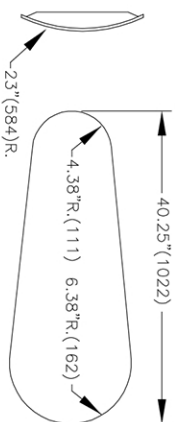
NPT 1/4"

Water Inlet (for optional water spray)

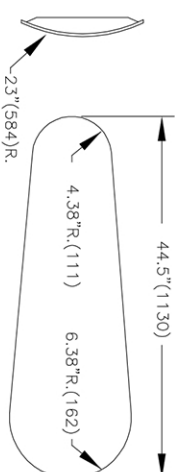
Weight (crated) lbs 720
 kg 326

- 1 - Control Push Buttons
- 2 - Steam Inlet connection
- 3 - Air connection
- 4 - Steam Outlet connection
- 5 - Vacuum Connection
- 6 - Electrical Connection (7'6" ~ 3 Prong Electrical Cord)
- 7 - Water Connection (For optional water spray)
- 8 - Optional Built-in Vacuum

BUCK DIMENSIONS (unpadded)

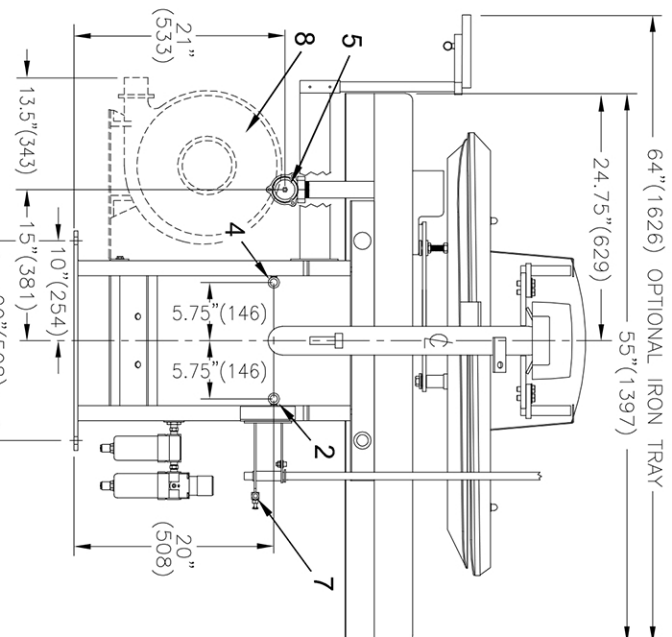


422FL

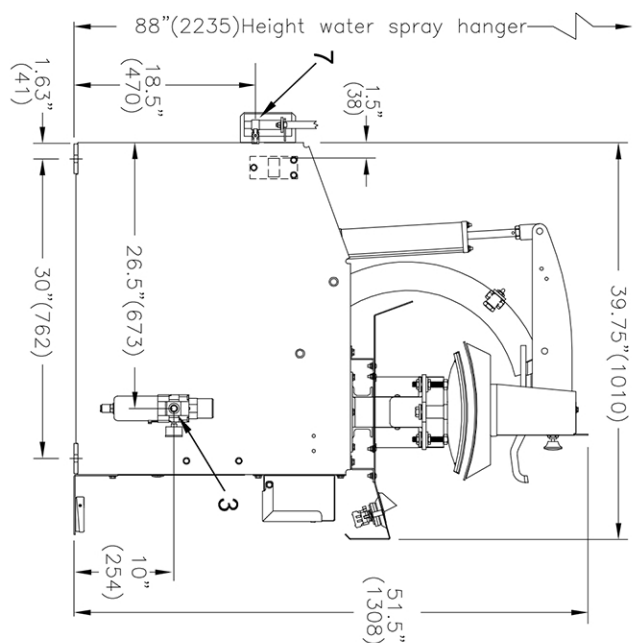


462FL

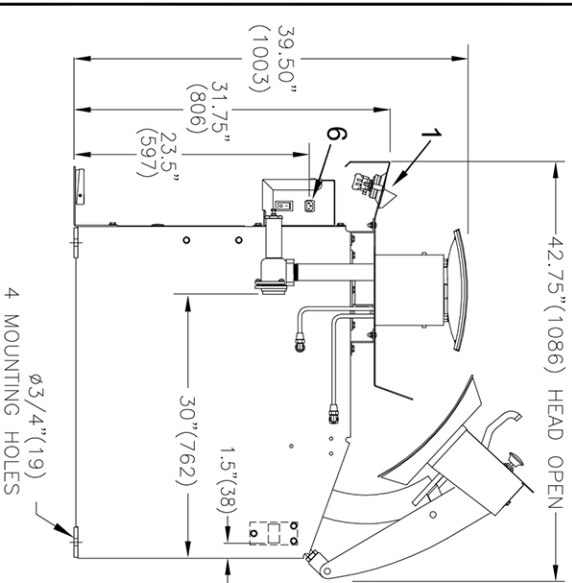
Detail Line Drawing (millimeters shown in parentheses)



REAR VIEW



LEFT SIDE VIEW



RIGHT SIDE VIEW

Models: 422FR, 462FR

Electrical Requirements

Voltage: 100-240VAC, 1PH, 50/60Hz, 0.35-0.19 Amps

Electrical Requirements with optional Built-in Vacuum

Voltage: 110-120VAC, 1PH, 60Hz, 8.4 Amps

Voltage: 220VAC, 1PH, 60Hz, 4.3 Amps

Steam, Air, Vacuum & Water Requirements

Steam Inlet

Steam Outlet

Rec. steam pressure

Steam consumption @ 80psig(552 KPa)

Compressed air

Air consumption

Rec. air pressure

Vacuum Connection

Water Inlet (for optional water spray)

Weight (crated)

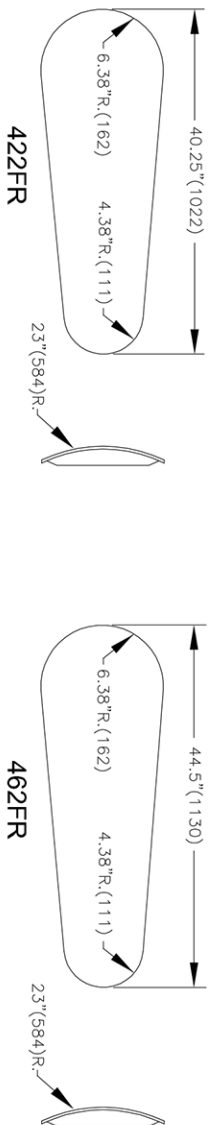
| | | |
|----------|-----|-----|
| Shipping | lbs | 720 |
| | kg | 326 |

| | |
|---------------------------|----------------------|
| free air/cycle at 80psig | 0.32 FT ³ |
| free air/cycle at 0.55MPa | 9 liters |

| | |
|-------|------|
| BHP | 1 |
| kg/hr | 15.6 |
| lb/hr | 34.5 |
| NPT | 3/8" |

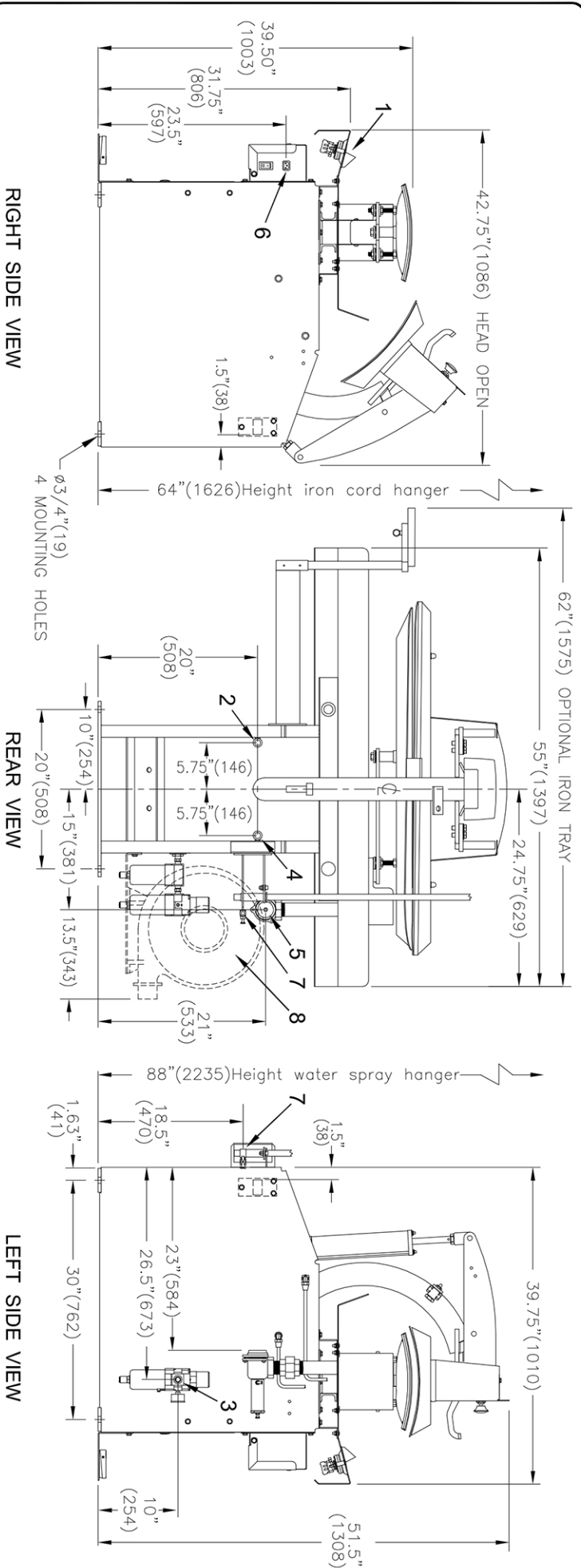
| | |
|------|--------|
| PSIG | 80 |
| MPa | 0.55 |
| NPT | 1 1/4" |
| NPT | 1/4" |

BUCK DIMENSIONS (unpadded)



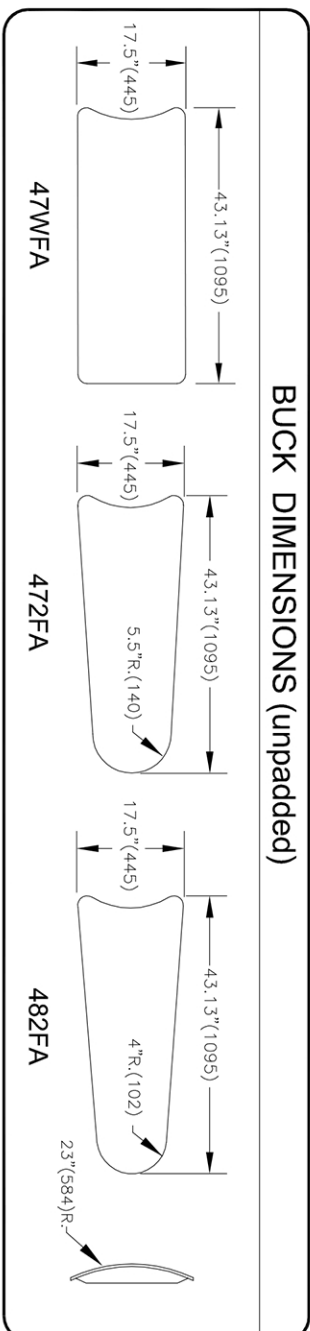
Detail Line Drawing (millimeters shown in parentheses)

- 1 - Control Push Buttons
- 2 - Steam Inlet connection
- 3 - Air connection
- 4 - Steam Outlet connection
- 5 - Vacuum Connection
- 6 - Electrical Connection (7'6" ~ 3 Prong Electrical Cord)
- 7 - Water Connection (For optional water spray)
- 8 - Optional Built-in Vacuum



Models: 472FA, 47WFA & 482FA

| | |
|---|---|
| Electrical Requirements | |
| Voltage: | 100-240VAC, 1PH, 50/60Hz, 0.35-0.19 Amps |
| Electrical Requirements with optional Built-in Vacuum | |
| Voltage: | 110-120VAC, 1PH, 60Hz, 8.4 Amps |
| Voltage: | 220VAC, 1PH, 60Hz, 4.3 Amps |
| Steam, Air, Vacuum & Water Requirements | |
| Steam Inlet | NPT 1/2" |
| Steam Outlet | NPT 1/2" |
| Rec. steam pressure | PSIG 75-85 MPa 0.52-0.59 |
| Steam consumption @ 80psig(552 KPa) | BHP 1.5 kg/hr 23.5 lb/hr 51.8 NPT 3/8" |
| Compressed air | free air/cycle at 80psig 0.32 FT ³ free air/cycle at 0.55MPa 9 liters |
| Air consumption | PSIG 80 MPa 0.55 |
| Rec. air pressure | NPT 1 1/4" |
| Vacuum Connection | NPT 1/4" |
| Water Inlet (for optional water spray) | NPT 1/4" |
| Weight (crated) | lbs 740 kg 335 |
| Shipping | |



- ### Detail Line Drawing (millimeters shown in parentheses)
- 1 - Control Push Buttons
 - 2 - Steam Inlet connection
 - 3 - Air connection
 - 4 - Steam Outlet connection
 - 5 - Vacuum Connection
 - 6 - Electrical Connection (7'6" ~ 3 Prong Electrical Cord)
 - 7 - Water Connection (For optional water spray)
 - 8 - Optional Built-in Vacuum

